

ELMO

PTC-201C IP

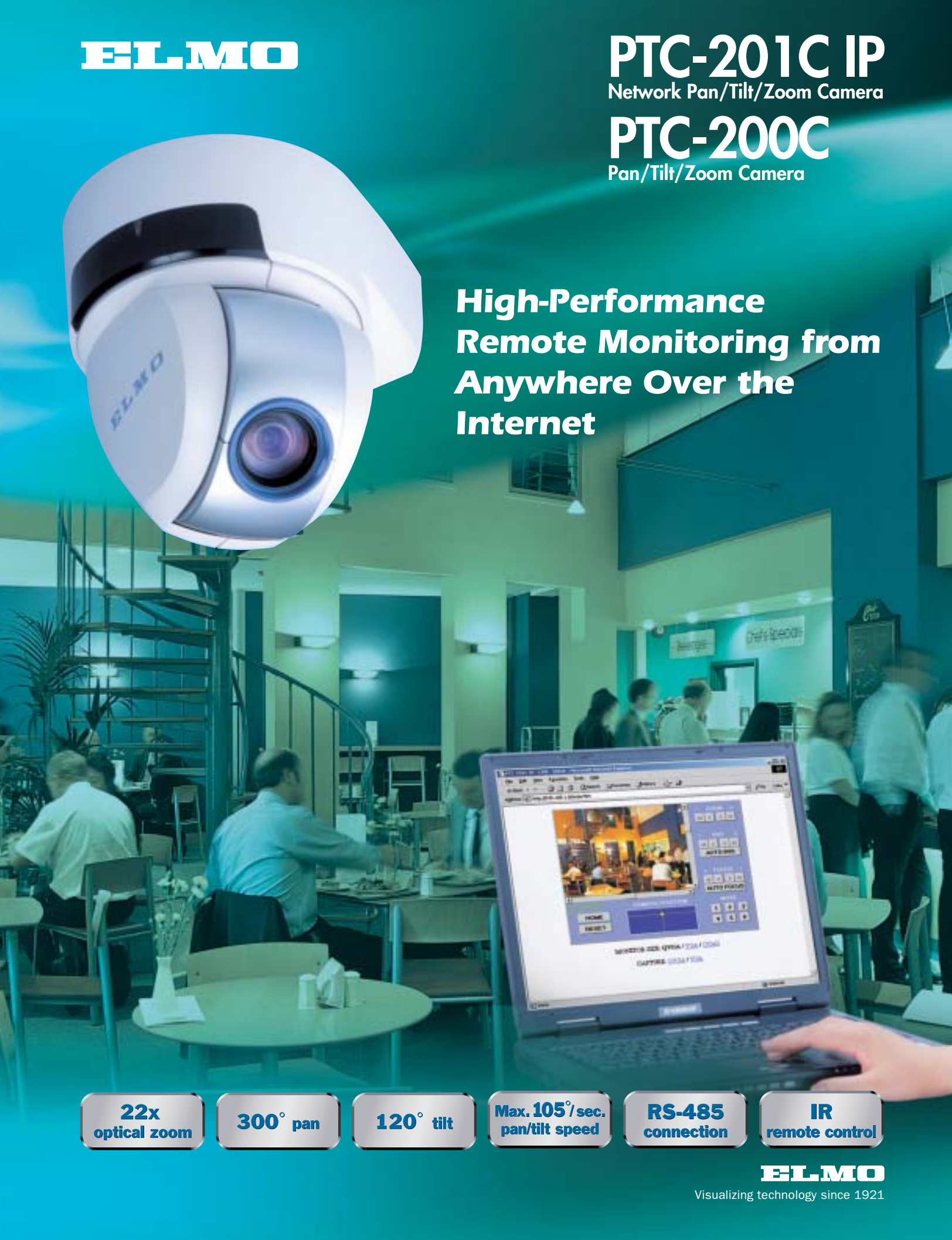
Network Pan/Tilt/Zoom Camera

PTC-200C

Pan/Tilt/Zoom Camera



**High-Performance
Remote Monitoring from
Anywhere Over the
Internet**



**22x
optical zoom**

300° pan

120° tilt

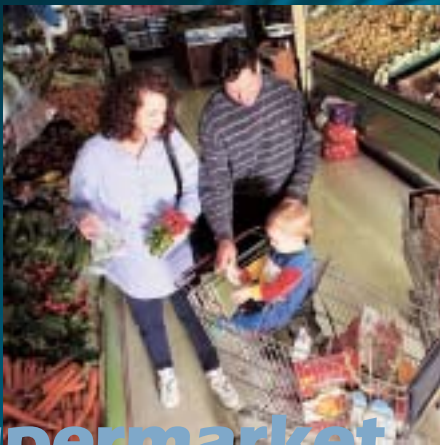
**Max. 105°/sec.
pan/tilt speed**

**RS-485
connection**

**IR
remote control**

ELMO

Visualizing technology since 1921



Supermarket



Keep a Watchful Eye from the Convenience of Your PC

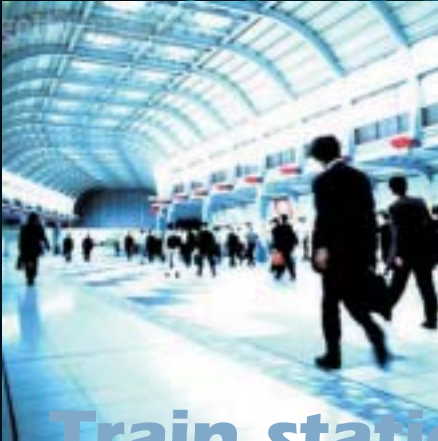
Monitoring



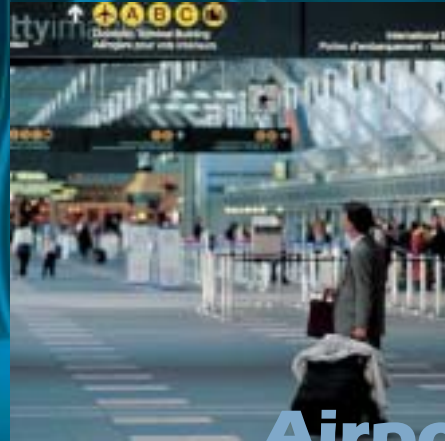
Nursery



Operating room



Train station



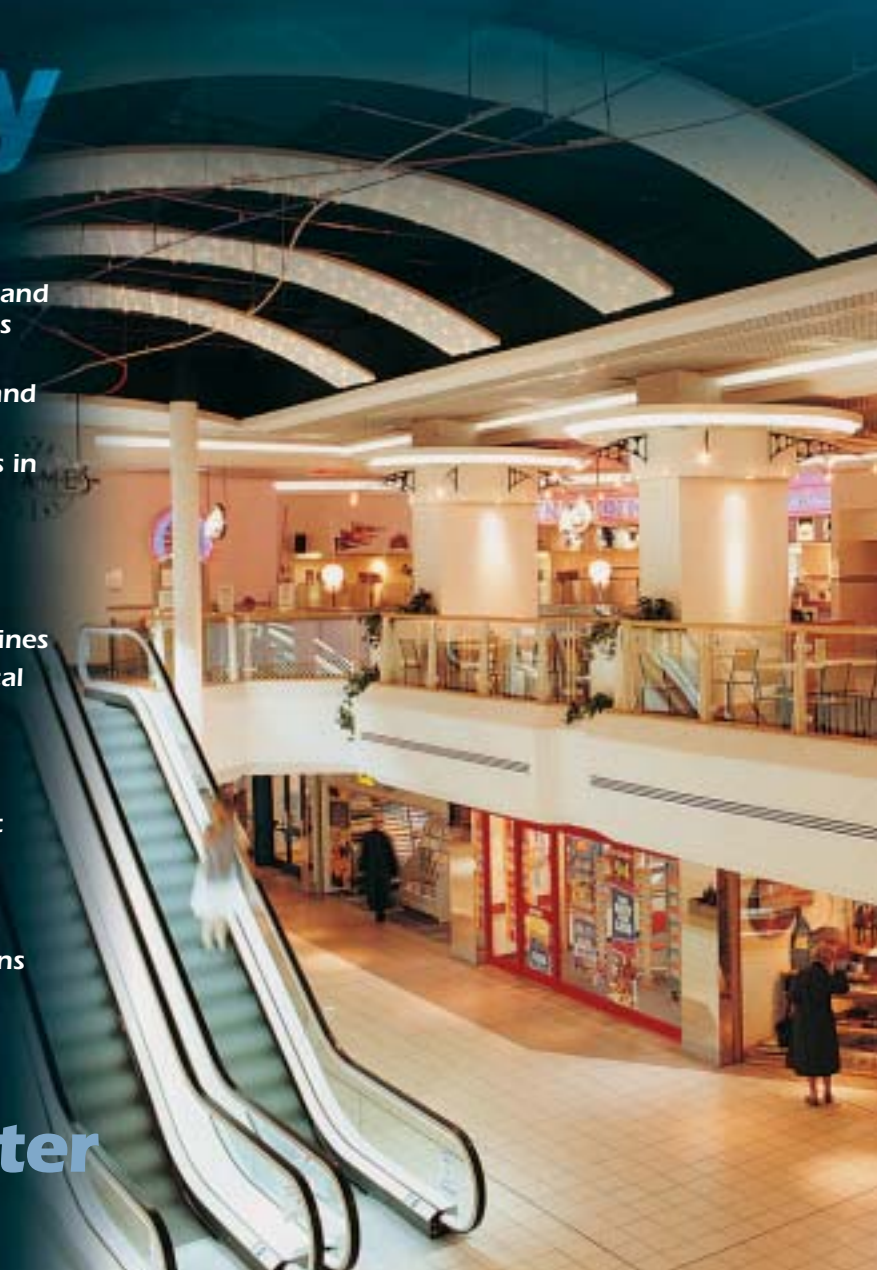
Airport

Security

Application Examples

- Monitor reception/entrances at office and apartment buildings, schools, hospitals and other public facilities
- Monitor train stations, bus terminals and airports
- Monitor patients and newborn infants in hospital rooms
- Monitor schools, nurseries and senior citizens' homes
- Monitor stores and shopping centers
- Monitor warehouses and production lines
- Monitor plants and animals in botanical gardens and zoos
- Distance learning and training
- Security for personal homes
- Monitor cultural assets and exhibits at museums
- Show on-stage performances in hall lobbies
- Broadcast events and tourist attractions

Shopping center



Reliable Monitoring Through Easy Browser-Based Operation

The PTC-201C IP is a network-ready monitoring camera with a built-in web server. You can easily create a network monitoring system by connecting the PTC-201C IP to your office intranet or Internet through an Ethernet connection. Users can view live images of remote locations and control the camera through a standard web browser on their PC. With high-performance camera functions and real user-friendliness, the PTC-201C IP greatly expands the possibilities of monitoring.

Easy Browser-Based Operation

The PTC-201C IP can be used with standard web browsers such as Netscape Navigator and Internet Explorer on your PC. As easy as viewing web pages, you can control camera functions including zoom and pan/tilt, with just a click of the mouse. Images are displayed in QVGA or VGA resolution. The browser screen is capable of capturing and saving still images as well.



Standard control screen



No Unauthorized Access

The PTC-201C IP provides a list of the IP address, account name and access time of clients that are currently accessing the camera on the network administrator's browser screen. If there's an address you don't want connected, the administrator can disconnect that client from the list directly. Authorized IP addresses can be registered beforehand also.

10 Simultaneous User Access

Up to 10 clients* can view camera images at the same time from a single PTC-201C IP. However, remote camera control capabilities are given to only one client PC at a time. Camera control will shift to the next client after the first client disconnects.

*Of the 10 clients, one is the network administrator.

1 ZOOM button

Click on this button to zoom up to 22x. Rough and Fine adjustments are available.

2 IRIS button

This button controls the iris of the camera. Rough, Fine and Auto adjustments are available.

3 FOCUS button

This button adjusts the camera focus. Rough, Fine and Auto adjustments are available.

4 PAN/TILT scroll bars

Use the scroll bar on the right to tilt (move up/down) and the one on the bottom to pan (move left/right) the camera.

5 MOVE button

These buttons are for moving the camera angles to the 6 preset positions.

6 CAMERA POSITION field

Click anywhere within this area and the camera angle will move to that position.

7 HOME button

The camera will face directly forward when clicking on this button.

8 RESET button

This button adjusts the tilt/pan angles that the camera memorizes to the actual angles (readjusts camera position).

4-image screen

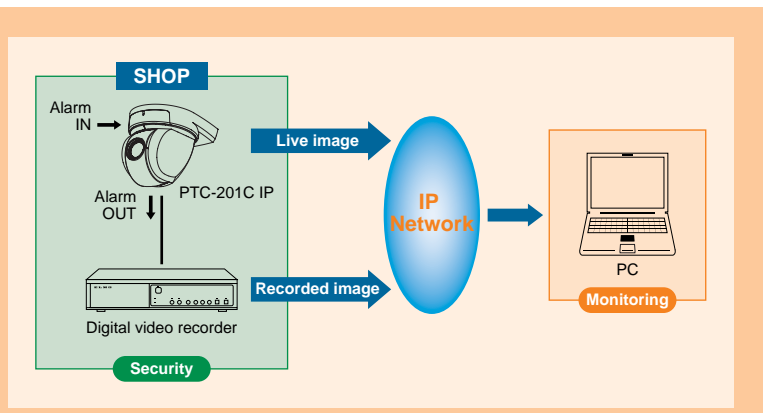
Click on QUAD in the browser control screen and images from up to 4 cameras will be displayed on a single screen.



Alarm Function

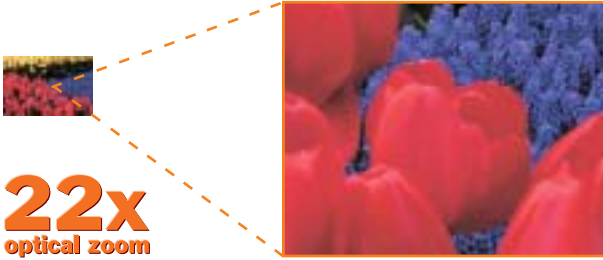
Responding instantly to an alarm signal, the PTC-201C IP moves to a preset position and records the image to a digital video recorder connected to the camera. It also transfers this video recording to a designated PC on the network, where it is saved as an image file.

Note: The alarm function is also available for the PTC-200C.



22x Optical Zoom for Detailed Image Capture

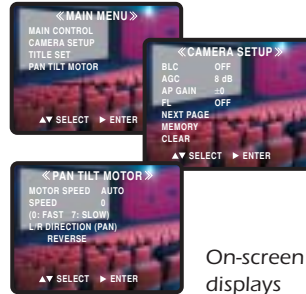
The PTC-201C IP and PTC-200C feature a high-performance 22x optical zoom, the most powerful in their class. Unlike electronic zooms, which simply enlarge part of an image without adding any detail, optical zooms increase the focal length of the lens, allowing the cameras to clearly capture objects in full detail without causing pixelated effects. Image clarity is further ensured with a high picture resolution of more than 460 TV (horizontal) lines. Full auto focus and manual focus modes are available.



22x
optical zoom

Various Convenient Features

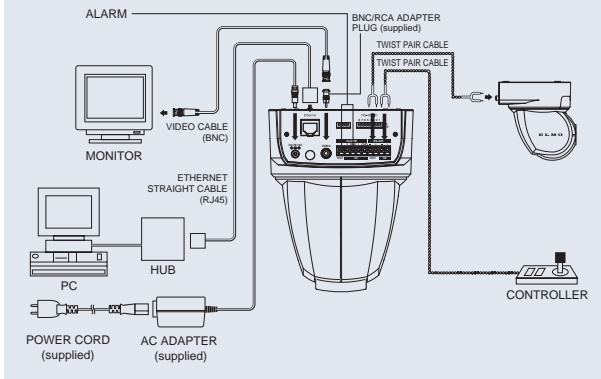
- Wide panning/tilting range and quick speed
- Wireless remote controller (supplied)
- Easy image control through on-screen displays
- Attractive, advanced design
- 6-position preset mode
- Auto and manual (8-step) motor speed control
- Left/right direction change, homing, pan/tilt reset
- Power-save mode



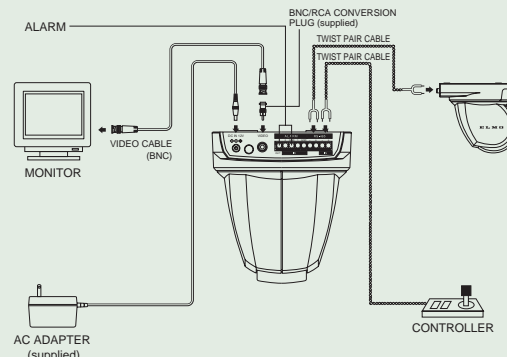
On-screen displays



PTC-201C IP system configuration



PTC-200C system configuration



PTC-200C for Simpler Applications

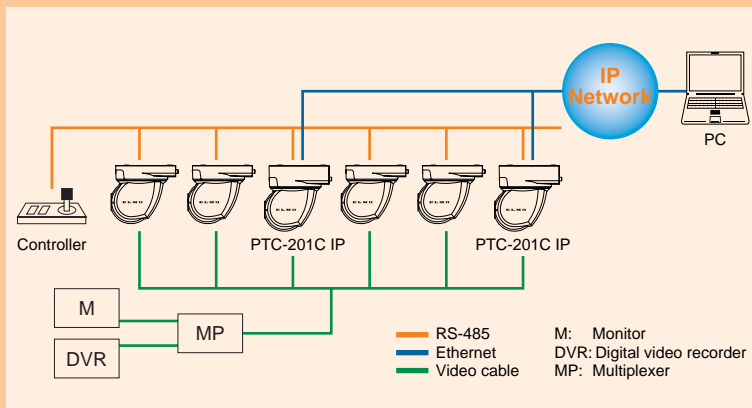
If your requirements don't include network capability, the PTC-200C is also available for simpler monitoring needs. Don't worry though; the PTC-200C has all the same high-performance camera functions as the PTC-201C IP.

Monitoring
Solution

2

Daisy Chain Connection + IP

The RS-485 port on the PTC-201C IP and PTC-200C allows users to make a daisy chain connection that can be remote-controlled with a commercially available controller. The PTC-201C IP makes the system ideal for monitoring locations such as large warehouses after hours or from outside the warehouse office. Up to 223 cameras can be daisy chained via the RS-485 interface to a distance of up to 1.2 kilometers.



PTC-201C IP Network Pan/Tilt/Zoom Camera

PTC-200C Pan/Tilt/Zoom Camera

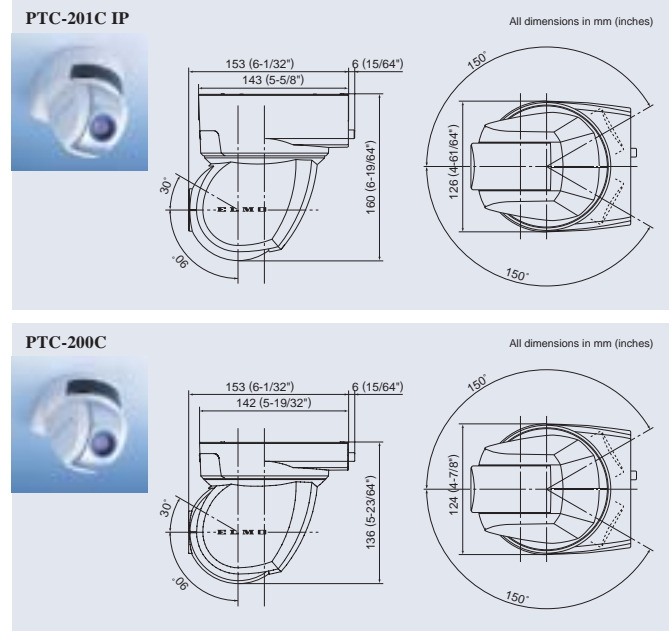
General Specifications

TV system	NTSC system
Pick-up device	1/4-inch IT color CCD
Total picture element	410,000 pixels
Sync. system	Internal
Resolution (horizontal)	More than 460 TV lines
Resolution (vertical)	More than 350 TV lines
S/N ratio	More than 49 dB
Minimum illumination	1 lx
Lens	22x powered zoom, f=4.0 – 88.0 mm, F1.6 – 3.8
Zoom	22x powered optical zoom
Field of view (horizontal)	47.5° – 2.3°
Lens filter diameter	37 mm (1-15/32"), pitch=0.75 mm (1/32")
Video output	Composite video RCA x 1
Control terminal	RS-485 9-pin terminal block
CAMERA CONTROLS	
Backlight compensation	ON/OFF
Iris selection	Auto/manual
White balance	ATW/push-set/manual
Focus	Full-auto/manual
Picture adjustment	Color balance, AGC gain, Edge enhancement, etc.
PAN/TILT CONTROLS	
Pan (H)	+/- 150° (300° in total, max. speed 105°/s)
Tilt (V)	-30° to 90° (120° in total, max. speed 105°/s)
Left & right direction change	Provided
Homing	Provided
Pan/tilt reset button	Provided
Speed control	Auto & manual (8 speeds)
Diagonal movement	Enabled at preset mode, via RS-485 control
OTHER CONTROLS	
Preset	6 positions
Control of multiple cameras with remote controller	Max. 6 PTC-201C IP/200C cameras
Power ON/OFF with remote controller	Provided
Power save mode	Provided
OSD menu	Provided (camera/preset selection)
RS-485 daisy chain connection	Max. 223 PTC-201C IP/200C cameras
Receivable angle from IR remote controller	Front: -90° to +90° (H), -30° to +30° (V) Rear: -10° to +10° (H), -30° to +30° (V)
Power requirement	12V DC from supplied AC adapter
Dimensions (W x D x H)	PTC-201C IP 126 x 153 x 160 mm (4-61/64" x 6-1/32" x 6-19/64")
Main unit weight	PTC-201C IP Approx. 1,200 g (2.6 lbs)
Supplied accessories	PTC-200C Approx. 800 g (1.8 lbs)
	Infrared wireless remote controller (w/batteries), BNC/RCA adapter plug, Fixing plate, Screw (M3 x 5), Ceiling plate, Wing nut (M5), Hexagon head bolt (M5 x 40), AC adapter, Instruction manual
	PTC-201C IP: Ethernet cable (UTP category 5 cross cable)

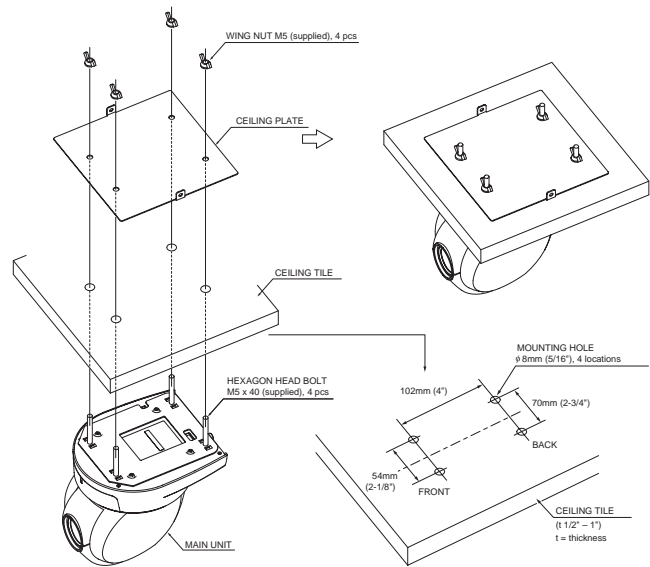
PTC-201C IP Network Specifications

Physical interface	10Base-T/100Base-TX Ethernet x 1
Compatible protocol	TCP/IP, ARP, UDP, ICMP, HTTP, FTP, telnet
Compatible browser	Internet Explorer 4.0 or later Netscape Navigator 6.0 or later
Image compression format	JPEG
Video display	Resolution: 640 x 480 pixels, 320 x 240 pixels Frame rate: Max. 30 frames/sec. (320 x 240 pixels)
Connection count during video display	Max. 10 clients
Still image display	Resolution: 640 x 480 pixels, 320 x 240 pixels
Remote control	Pan/Tilt, Focus, Iris, Preset, Home, Reset
Security	IP address filtering, BASIC authentication
CPU system requirements	333 MHz Pentium III or faster (500 MHz Pentium III or faster recommended)
RAM system requirements	128 MB or more (256 MB or more recommended)
Display and video card system requirements	800 x 600 pixels or more (1,024 x 768 pixels or more recommended)

Profile



Ceiling Mounting



Design and specifications are subject to change without prior notice.



ELMO CO., LTD. (Head Office and Factory)'s QMS/EMS has been registered to ISO 9001 & ISO 14001.

ELMO ELMO CO., LTD.

6-14, Meizen-cho, Mizuho-ku,
Nagoya, 467-8567 Japan
E-mail: foreign-div@elmo.co.jp

ELMO and **ELMO** are registered trademarks of ELMO COMPANY, LIMITED.
All other product and brand names may be trademarks or registered trademarks of their respective owners.

Additional technical information is available from any of the following subsidiary companies;

ELMO Mfg. Corp.

1478 Old Country Road,
Plainview, NY 11803-5034, U.S.A.
Tel. 516-501-1400 Fax. 516-501-0429
E-mail: elmo@elmousa.com
Web: <http://www.elmousa.com>

ELMO Canada Mfg. Corp.

44 West Drive, Brampton, Ontario, L6T 3T6, Canada
Tel. 905-453-7880 Fax. 905-453-2391
E-mail: info@elmocanada.com
Web: <http://www.elmocanada.com>

ELMO (Europe) G.m.b.H.

Neanderstr. 18, 40233 Düsseldorf, Germany
Tel. 0211-376051-53 Fax. 0211-376630
E-mail: elmoeurope@AOL.com
Web: <http://www.elmo.de/>

Distributed by