

**ELMO**

# **TND4204VX**

## **Vandal resistant type**

### **High-Resolution DSP Color Dome Camera**



**High-Resolution, High Sensitivity, Heavy Duty Color Dome camera**  
**For sophisticated security system, suitable especially for use**  
**in low light conditions.**

- Rugged aluminum diecast body & polycarbonate bubble
- 480TVL Horizontal Resolution
- Dual power capability 24V AC / 12V DC
- Flicker correction setting
- Minimum illumination requirement 0.35lx (F1.2)
- Full Digital Signal Processing
- Easy to install (Integrator Friendly)

**ELMO**

Visualizing technology since 1921

# Vandal resistant type

## High-Resolution DSP Color Dome Camera **TND4204VX**

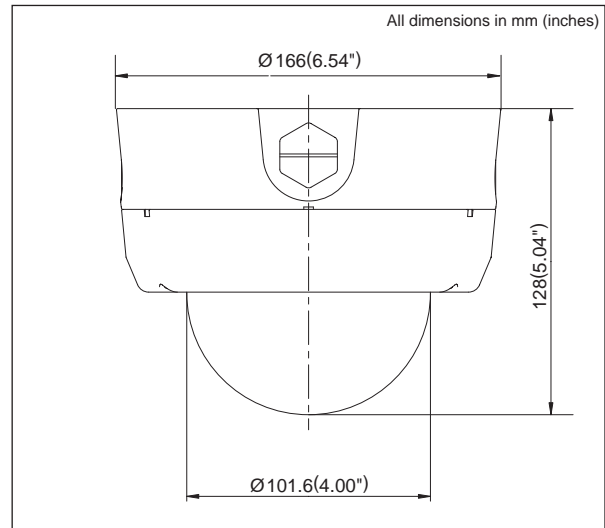
### **TND4204VX SPECIFICATIONS**

Model	TND4204VX(Vandal resistant type camera)
Power source	AC24V(AC15V-27V) 60Hz±0.5Hz or DC12V(DC11V-35V)
Power consumption	AC : Approx.2.5W or DC : Approx.2.8W
Image pick-up device	1/3" color interline-transfer CCD
Effective picture element	768(H) x 494(V)
Scanning area	4.88mm(H) x 3.66mm(V)
Scanning system	2:1 Interlaced
Scanning frequency	LL : 15.75kHz(H),60Hz(V) INT : 15.734kHz(H),59.94Hz(V)
Sync.system	AC : Line-lock/Internal (switchable) DC : Internal
Resolution	480TV lines(H), 350TV lines(V)
S/N ratio	50dB
Standard illumination	60lx (F1.2 under incandescent lamp)
Lowest illumination	0.35lx (F1.2 under incandescent lamp)
White balance	ATW/PUSH (switchable)
AGC	Built-in (SENS UP switchable)
Backlight control (BLC)	Provided (switchable)
Electronic shutter	1/60sec. / 1/100sec. (switchable)
Power	Power cable (Non-plug)
Video out	BNC cable output VBS 1.0v(p-p) 75Ω
Lens	Varifocal lens F1.2 f=3~9mm
Angle of view	Horizontal 31.8°(Tele) ~ 90.0°(Wide) Vertical 23.9°(Tele) ~ 68.2°(Wide)
Movable angle	Pan 180°(±90°) / Tilt 120°(±60°) / Camera 290°
Waterproof rating	IP66
Dimensions	Diameter : 166mm (6.54") Height : 128mm (5.04")
Weight	Approx.1600g (3.52lbs)
Ambient temperature	-10°C ~ +50°C (14°F ~ 122°F)
Ambient humidity	30 ~ 90%
Accessories	Instruction manual, Dedicated wrench

NOTE: \*Design and specifications are subject to change without prior notice.  
\*Dimensions and weight are approximate.



#### PROFILE



ELMO CO.,LTD.(Head Office and Factory)'s QMS/EMS has been registered to ISO 9001 & ISO 14001.

**ELMO® ELMO CO., LTD.**

6-14, Meizen-cho, Mizuho-ku,  
Nagoya, 467-8567 Japan  
E-mail:foreign-div@elmo.co.jp

Additional technical information is available from any of the following subsidiary companies;

#### **ELMO Mfg. Corp.**

1478 Old Country Road,  
Plainview, NY 11803-5034, U.S.A.  
Tel. 516-501-1400 Fax. 516-501-0429  
E-mail:elmo@elmousa.com  
Web:http://www.elmousa.com

#### **ELMO (Europe) G.m.b.H.**

Neanderstr 18,  
40233 Düsseldorf, Germany  
Tel. 0211-376051-53 Fax.0211-376630  
E-mail:elmo@elmo.com  
Web:http://www.elmo.de

#### **ELMO Canada Mfg. Corp.**

44 West Drive, Brampton,  
Ontario, L6T 3T6, Canada  
Tel. 905-453-7880 Fax.905-453-2391  
E-mail:info@elmocanada.com  
Web:http://www.elmocanada.com

**ELMO** and **ELMO** are registered trademarks of ELMO COMPANY, LIMITED.

Distributed by



This brochure is printed on recycled paper with soy ink.  
Printed in Japan(S)06/2004